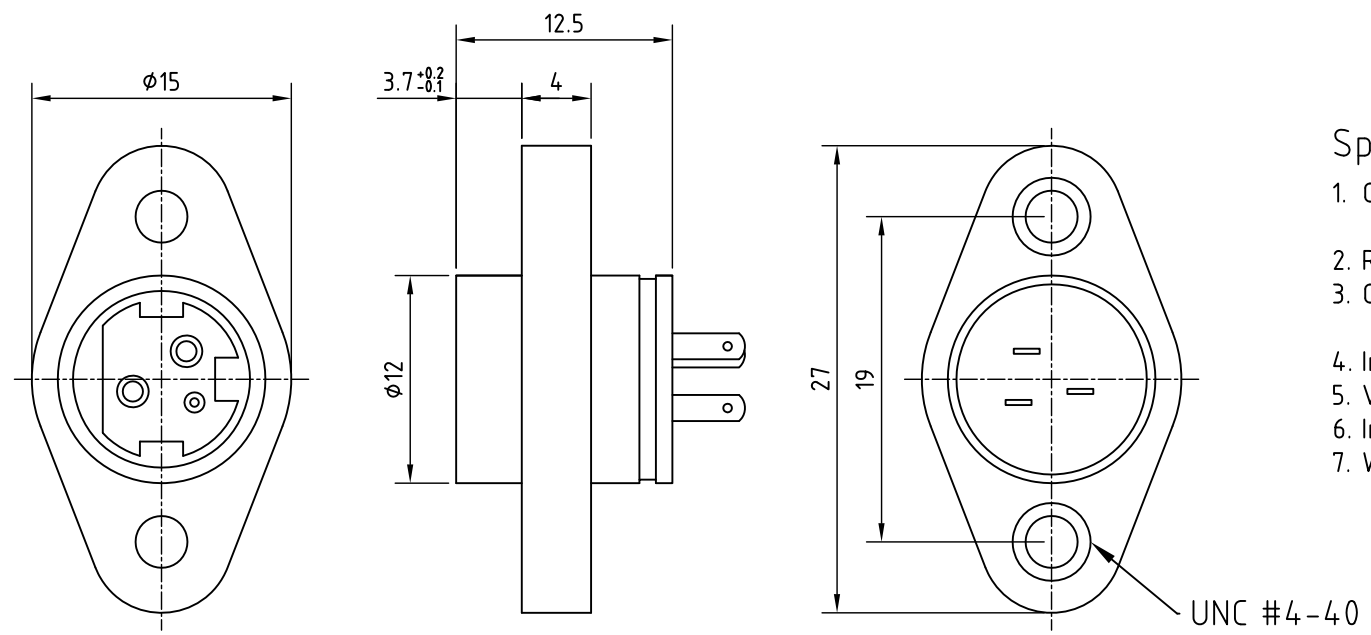


REV.	Description	Date
1	rate voltage revise	2017/11/30
2	add dimension	2019/5/14



Specification

- Current rating: Large Pin 7.5A max.
Small Pin 1A max.
- Rated voltage: 48V/DC max.
- Contact resistance: Large Pin 30mΩ max.
Small Pin 50mΩ max.
- Insulation resistance: DC 250V 50MΩ min.
- Voltage withstand: AC 250V / 1 minute
- Insertion force: 3.5kgs max.
- Withdrawal force: 0.5-2.5Kgs

RoHS
TOLERANCE X±0.5 X.X±0.3

5	Nut	Iron	Nickel ptd.
4	Terminal	Brass	Tin ptd.
3	Housing	PBT	
2	Shell	Brass	Nickel ptd.
1	Body	PP	
Item	Description	Material	Treat & Remark

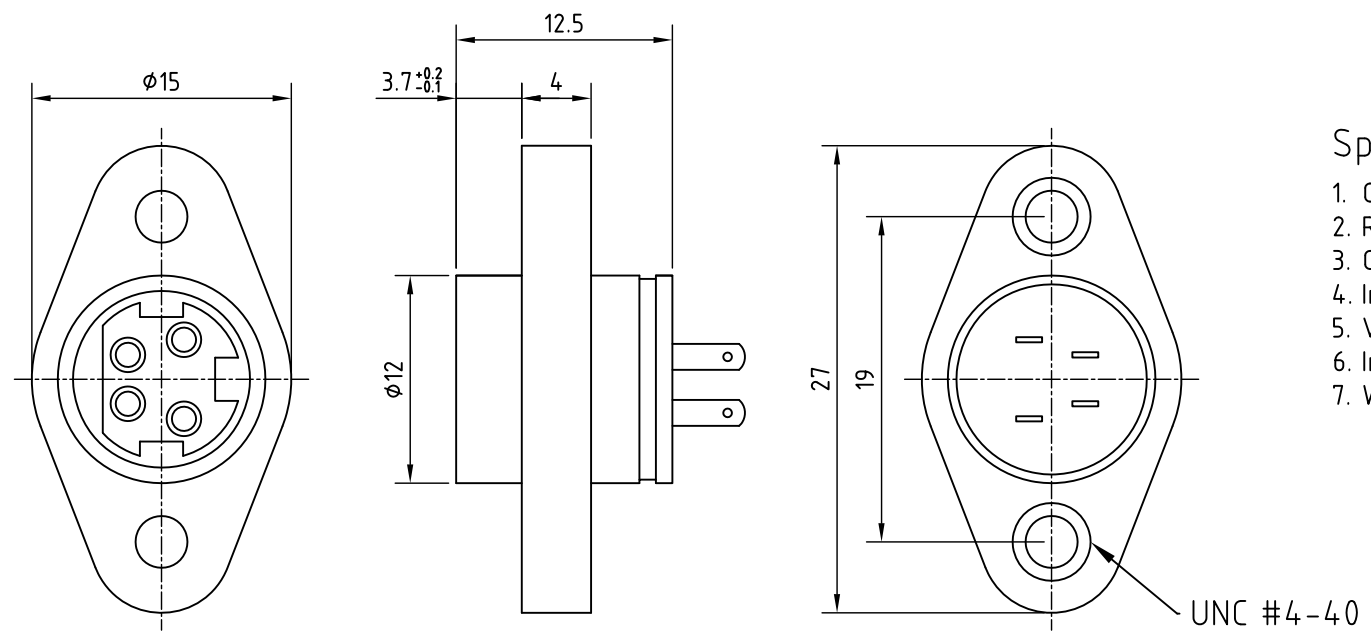


Unicable Co., Ltd. 國陽電業有限公司
5F., No. 111-33, Sec. 4, San Ho Road, San Chung City, Taiwan, R.O.C.
<http://www.unicable.com.tw> TEL:+886-2-2286-2122 FAX:+886-2-2286-1010

DATE	2019/5/14	PART NO.	UT-A001-3SPM
DWN	GINA	REV.	2
CHK			
UNIT	MM		

ITEM	Circular Power Connector Push Lock Type
------	---

REV.	Description	Date
1	rate voltage revise	2017/11/30
2	add dimension	2019/5/14



Specification

1. Current rating: 7.5A max.
2. Rated voltage: 48V/DC max.
3. Contact resistance: 30m Ω max.
4. Insulation resistance: DC 250V 50M Ω min.
5. Voltage withstand: AC 250V / 1 minute
6. Insertion force: 3.5kgs max.
7. Withdrawal force: 0.5-2.5Kgs

RoHS
TOLERANCE X \pm 0.5 X.X \pm 0.3

5	Nut	Iron	Nickel ptd.
4	Terminal	Brass	Tin ptd.
3	Housing	PBT	
2	Shell	Brass	Nickel ptd.
1	Body	PP	
Item	Description	Material	Treat & Remark



Unicable Co., Ltd. 國陽電業有限公司
5F., No. 111-33, Sec. 4, San Ho Road, San Chung City, Taiwan, R.O.C.
<http://www.unicable.com.tw> TEL:+886-2-2286-2122 FAX:+886-2-2286-1010

DATE	2019/5/14	PART NO.	UT-A001-4SPM
DWN	GINA	REV.	2
CHK			
UNIT	MM		

ITEM	Circular Power Connector Push Lock Type
------	---